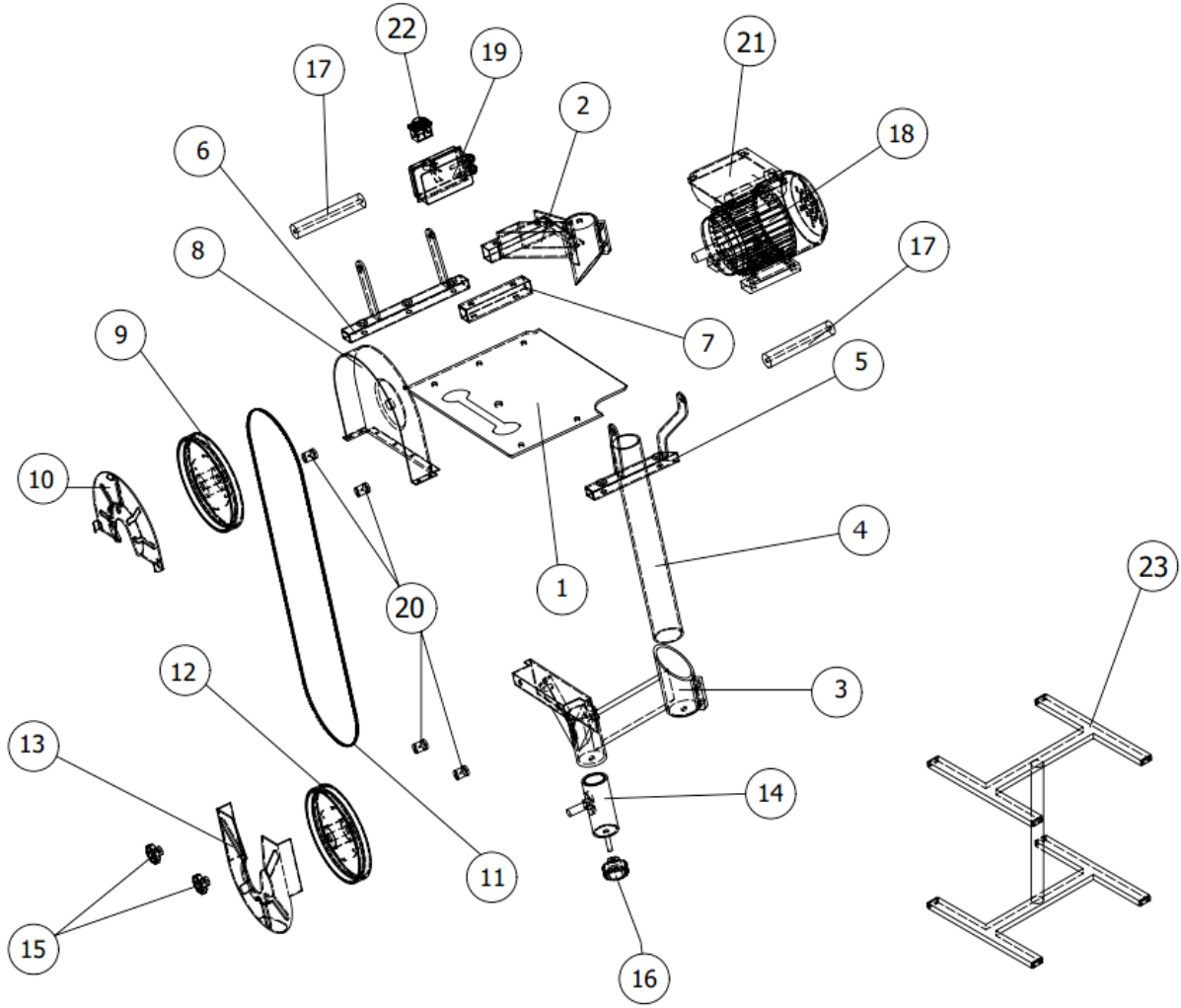


# Technical drawing - band saw



## Spare parts - band saw

- 1) base plate
- 2) upper arm
- 3) lower arm
- 4) tube
- 5) Holder by picking (left)
- 6) bracket right
- 7) engine mount
- 8) top wheel cover (rear)
- 9) upper wheel
- 10) top wheel cover (front)
- 11) cutting strip
- 12) lower wheel
- 13) bottom cover
- 14) tensioning segment
- 15) bottom cover retaining nut
- 16) tensioning screw
- 17) handrail
- 18) engine
- 19) plastic box
- 20) guide bushes
- 21) plastic engine cover
- 22) switch complete
- 23) Stand